

# MNT-GB-PLATE-1

Junction Box Adapter

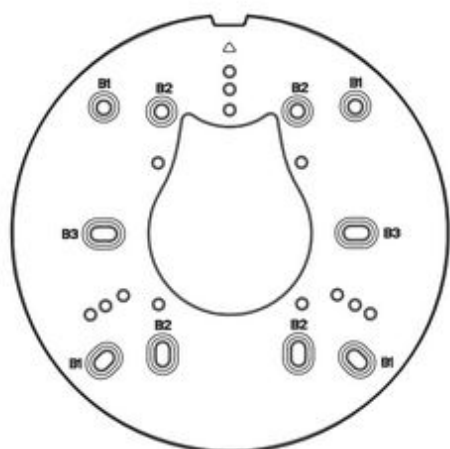


- Integrated, no-drill design
- In-ceiling indoor installation
- Fits 4" square, 4" octagon, single or double-gang junction boxes
- Aluminum alloy + ABS construction

## Technical Specification

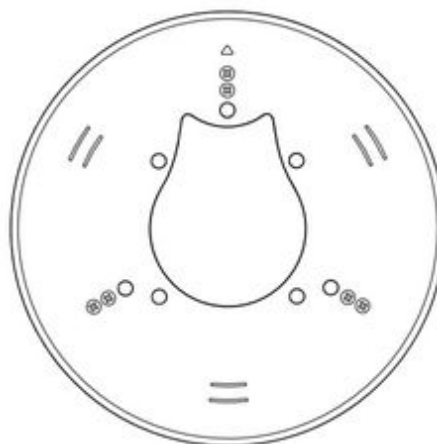
Model	MNT-GB-PLATE-1
<b>Physical Properties</b>	
Material	Aluminum alloy + ABS
Dimension(W xH xD)	6.06" x 0.33" (154mm x 8.5mm)
Weight	0.16kg (0.35lb)
Color	White
Operating Temperature	40°C~60°C(-40°F~140°F)
Humidity	0~90% RH
Load Bearing	1kg (2.2lb)
Applicable Models:	Fits 4" square, 4" octagon, single or double-gang junction boxes and Most IC Realtime cameras. See compatibility list.

Plate  
1pcs



B1—4" square box  
B2—Double-gang box  
B3—Single-gang box/4" octagon box

Cover  
1pcs



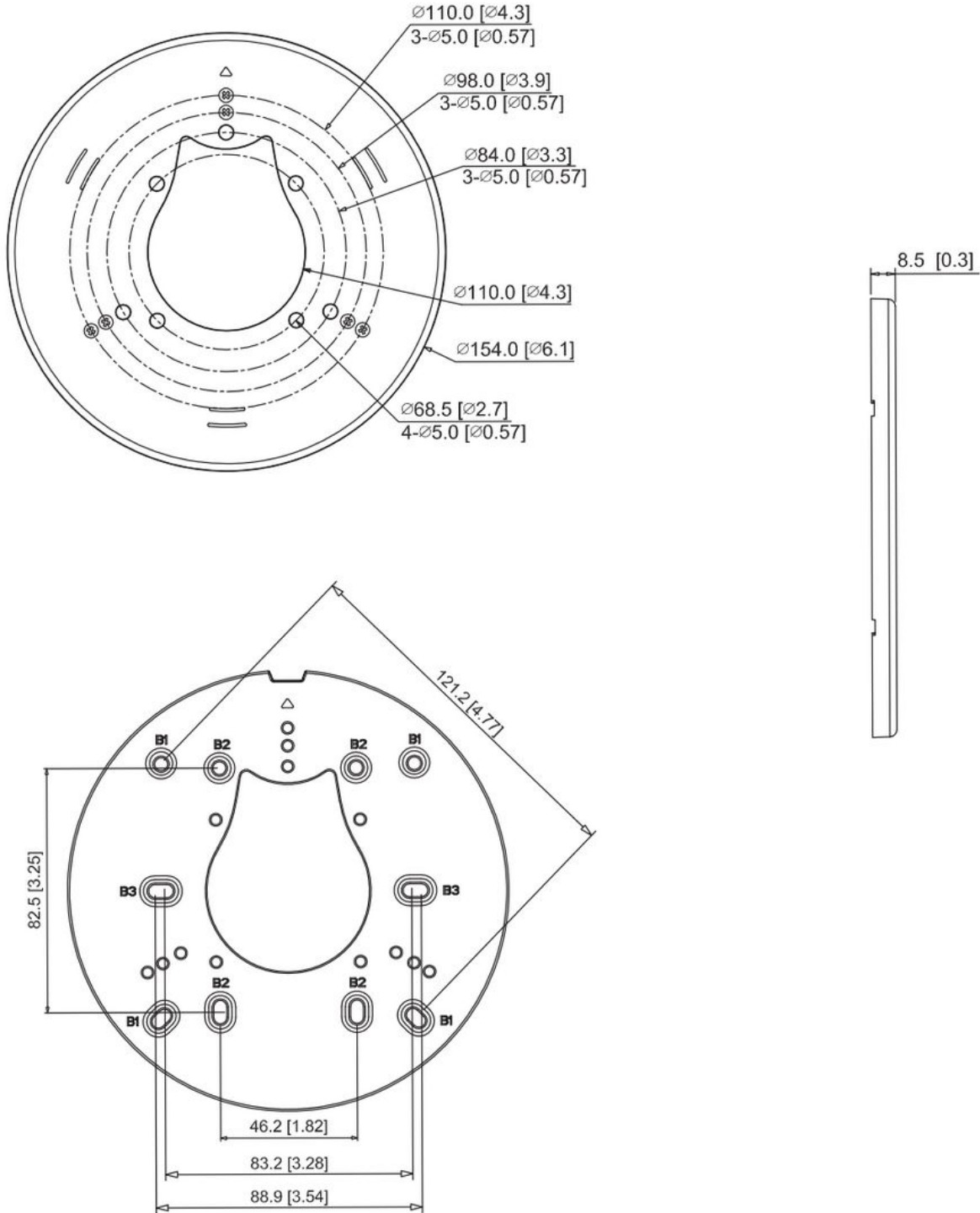
Camera mount screw  
4pcs



S3.0 wrench  
1pcs



Dimensions (mm/in)



Application

